

**BATES LEATHERS**  
 3671 Industry Ave., Unit C5 • Lakewood, CA 90712  
 tel: [562] 426-8668 • fax: [562] 426-4001  
 info@batesleathers.com



# STANDARD ORDER FORM

OFFICE USE ONLY

**A. PLEASE PRINT SHIPPING ADDRESS (IF DIFFERENT FROM BILLING)**

Name: \_\_\_\_\_

Address: \_\_\_\_\_

City: \_\_\_\_\_ State: \_\_\_\_\_ ZIP: \_\_\_\_\_

Daytime phone number: [ \_\_\_\_ ] \_\_\_\_ - \_\_\_\_ Email address: \_\_\_\_\_

**B. ORDER DESCRIPTION**

ITEM	COLOR(S)	SIZE	QTY	PRICE	TOTAL
Sub Total:					

I approve this order. SIGNATURE: \_\_\_\_\_ DATE: \_\_\_\_ / \_\_\_\_ / \_\_\_\_

CIRCLE ONE: CHECK OR MONEY ORDER

**C. PLEASE PRINT BILLING AND PAYMENT METHOD**



Name: \_\_\_\_\_

Address: \_\_\_\_\_ Daytime phone : [ \_\_\_\_ ] \_\_\_\_ - \_\_\_\_

City: \_\_\_\_\_ State: \_\_\_\_\_ ZIP: \_\_\_\_\_

Card number: \_\_\_\_\_ Exp.Date: \_\_\_\_ / \_\_\_\_ CVC Code: \_\_\_\_\_

CARDHOLDER SIGNATURE: \_\_\_\_\_

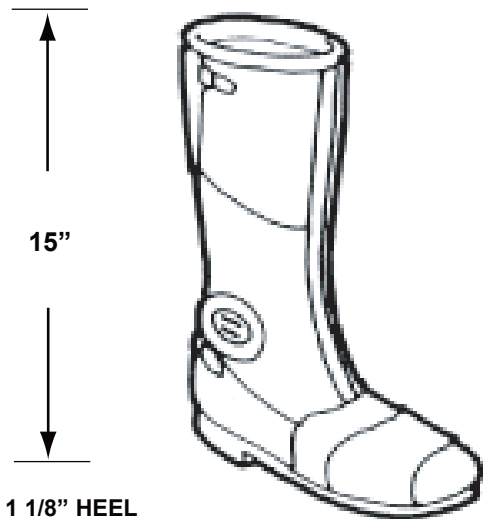
BY SIGNING THIS, CUSTOMER GIVES PERMISSION TO BATES LEATHERS TO USE THE ABOVE CREDIT CARD FOR PURCHASES MADE IN REGARDS TO THIS ORDER. CUSTOMER ALSO AGREES THERE WILL BE NO REFUNDS ON CUSTOM MADE ITEMS OF ANY KIND.

# BATES LEATHERS

3671 Industry Ave., Unit C5 • Lakewood, CA 90712  
 tel: [562] 426-8668 • fax: [562] 426-4001  
 info@batesleathers.com



## BOOT WORKSHEET



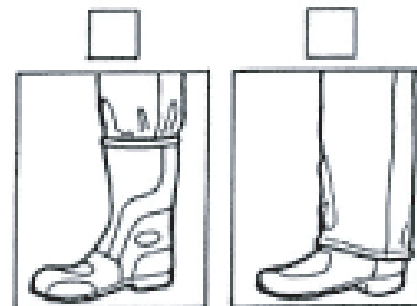
ROAD RACE

Foot Length =  
 Foot Width =

Leather Color: \_\_\_\_\_

Fast Lane Patch:      Yes      No

How do you wear your boots? Check one.



### SPECIAL NOTES:

---



---



---



---



---



---



---

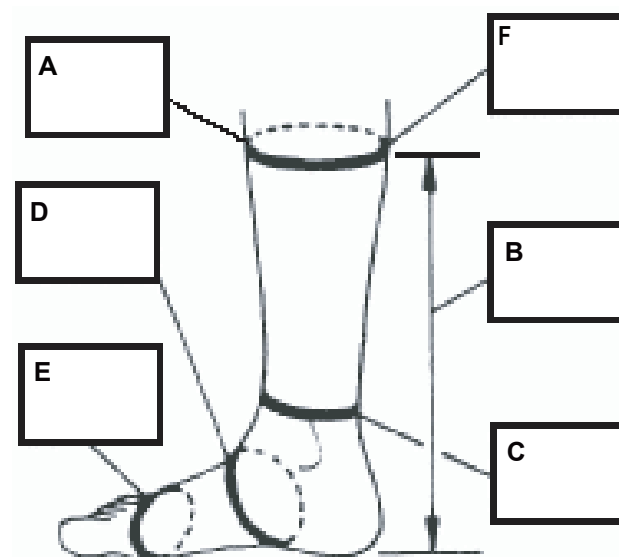


---

### DO NOT MEASURE YOURSELF!

Have someone else measure you. Measure over socks while standing with full weight on foot.

- A. Around largest part of calf.
- B. Height from ground to largest part of calf
- C. Around narrow part of leg above anklebone
- D. Around instep (arch area)
- E. Around ball of foot
- F. Around leg where top of boot will end



Regular Shoe size, including width \_\_\_\_\_



## TERMS AND CONDITIONS

**ORDERS:** Prices –FOB Lakewood, CA and subject to shipping and handling charges. Standard items may be ordered by telephone when payment is made by Visa or MasterCard. All other orders should be mailed to:

**Bates Leathers** (562) 426-8668 phone  
3671 Industry Ave. - Unit C5 (562) 426-4001 fax  
Lakewood, CA 90712

**TERMS:** Full payment in advance required on all items totaling less than \$500.00. Custom orders must be submitted in writing. Visa and MasterCard along with personal checks and money orders are accepted as payment. When personal checks are sent please allow an additional 2-3 weeks for processing of order, as check must clear bank before shipping.

**Initial here** \_\_\_\_\_

**SHIPPING:** All orders sent via United Parcel Service (UPS). Unless specified by the customer the order will be shipped UPS Ground Label service. International shipments will be made via United Parcel Service Worldwide Express. All shipments foreign and domestic are billed at the customers' expense and added to the final invoice total.

**DEPOSITS:** Full payment or minimum deposits must accompany every order. Minimum deposits are as follows:

Suits – No less than \$200.00 or 50 % of total order      Pants – No less than \$200.00 or 50% of total order  
Jackets – No less than \$200.00 or 50% of total order

Minimum deposits are non-refundable once order is "in process"\*\*.

\*\* "In process" means once order is taken and deposit is given, order is in process. \*\*

**Initial here** \_\_\_\_\_

The balance of each order is due within 15 days of initial order submission.

**RETURNS/EXCHANGES:** Subject to a handling/restocking fee. Customer must notify Bates upon returning any item for refund or exchange.

There are absolutely no refunds on custom orders.

Bates will make every attempt to rectify a custom order. Customer is responsible for return postage and insurance.

**Initial here** \_\_\_\_\_

Any questions on custom orders must be presented to Bates within 30 of receipt of order.

**CLAIMS:** Must be filed by customer with carrier at time of delivery. If it is necessary to refuse shipment because of damage, customer must notify Bates also.

If customer chooses to file legal action against Bates Industries, Inc. dba

**Initial here** \_\_\_\_\_

Bates Leathers, they agree to do so in the county of Los Angeles, CA.

I have read and understand the "Terms and Conditions" and agree to them as set forth above.

Customer Signature \_\_\_\_\_ Date \_\_\_/\_\_\_/\_\_\_